

# Keeping the water flowing!



**Atlas Polar**  
IT'S ALL ABOUT QUALITY™

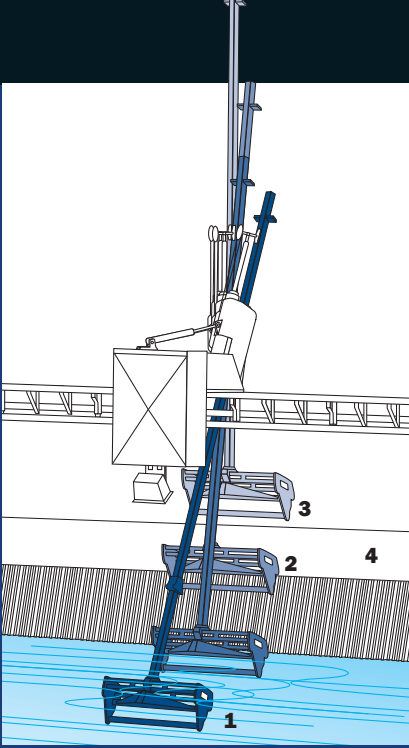
# Save time, labour and increase flow!

The Atlas Polar trash raking system cleans any gauge screen or bar rack. Installation upstream provides space for trash removal and deck access for personnel. The fully automatic system replaces handraking, which is still the most common method of rack maintenance. The Hydrorake imitates this action automatically 24 hours a day even in the coldest weather.

## **The Atlas Polar ST9000 Hydrorake System**

The PLC control system permits tailoring the operational sequencing to any flow or debris conditions at each intake.





### How the Atlas Polar ST9000 Hydrorake System works

1. A telescopic boom with rake head extends into the water by means of a hydraulic/mechanical boom system.
2. A hydraulic cylinder tilts the boom to hold the rake against the racks at a constant pressure while a second cylinder lifts the boom.
3. When the rake reaches the top of the racks it automatically dumps the debris into a spillway that runs the length of the intake.
4. The optional transporter/spillway system then moves the debris to a collection area on either side of the intake.



### The Atlas Polar ST9000 Hydrorake System

Multiple units can be used on the same rail system for intakes with large masses of debris such as the USBR fish screen protection barrier in central Washington state.

# Twice the workload? ...Think twin boom!

A fast payback on your investment is ensured as facilities protected by the Hydrorake show increased flow efficiency, and reduced operation and maintenance costs. Also, crew moral and safety increase dramatically with this automatic system.

## **The Atlas Polar DT9300 Hydrorake System**

The DT9300 twin-boom trash raking system is capable of lifting 4,000 lbs of debris and can reach to a depth of over 70 feet.





### **The Atlas Polar DT9300 Hydrorake System**

As with the ST9000 model the DT9300 system cleans any gauge screen or bar rack. Installation upstream provides space for trash removal and deck access for personnel. The installation above and lower left utilized a conveyor system for debris removal.



### **Hand Held Remote Control**

All Hydrorake systems come standard with a hand-held pendant station for manual operation. Optional wireless remote system also available.

# Provide clean and friendly waterways!



Our latest innovation and an example of our commitment to respond to customer needs, the Atlas Polar Hydrobrush is ideal for fish monitoring or transfer facilities where keeping a constant flow through screens is essential.



## **The Atlas Polar HB9100 Hydrobrush System**

The specially designed Hydrobrush automatically cleans stainless steel screens travelling horizontally. The Atlas Polar Hydrobrush is ideal for water pump, fish monitoring, or transfer facilities. Any screen angle from vertical to 30 degrees can be brushed automatically.



# Put all the logs in their place... every time!



The Atlas Polar Stop Log Lifter is now established as an effective and efficient way to secure and remove logs, stack logs and retrieve and replace logs in the sluiceway. It replaces hand cranked winches that have their lifting hooks manually engaged.



## **The Atlas Polar LP2040 Stop Log Lifting Unit**

Capable of engaging a log while a full head of water is passing over it. All operation is from a central console area with both gains visible to the operator.

### **Pressure and performance**

The lifting force of the unit is 20,000 lbs and the compacting force (jacking down) is 40,000 lbs. The unit will remove logs from any sluice and stack them on the deck.



Atlas Polar's Hydrorake Division has more than three decades of experience in the field. During that time we have built a reputation as the principal supplier of totally automated trashraking systems to the Hydropower and Water Management industries across North America.

## Hydrorake

	<b>Model ST9000</b>	<b>Model DT9300</b>
Lift capacity	1,500 lbs. debris	4,000 lbs. debris
Raking depth	34 ft. below deck elevation	70 ft. below deck elevation
Rake boom design	Single and telescopic staging available	Double and telescopic staging available
PLC control	Auto control panel supplied with hand-held remote controller (optional radio controller available). Control installation available in motor control center or in outdoor weather proof enclosure.	Auto control panel supplied with hand-held remote controller (optional radio controller available). Control installation available in motor control center or in outdoor weather proof enclosure.
Power supply	240/480/575V, 3 phase, 60 HZ	240/480/575V, 3 phase, 60 HZ
Parts	Standard production items, hi-interchangeability of parts	Standard production items, hi-interchangeability of parts
Hydraulic system	2,250 PSI	2,500 PSI
Inward rake pressure	Rake exerts an adjustable 200–300 lbs. pressure on trashracks during upward raking motion	Rake exerts an adjustable 300–500 lbs. pressure on trashracks during upward raking motion
Rackhead width	4 feet/custom	6 feet

## Hydrobrush

	<b>Model HB9100</b>
Stainless steel wire orientation	Vertical
Brush/length	Double bristle/5 feet/custom
Brushing depth	40 feet
Screen angle	0° - 30° from vertical
Boom design	Single/double
PLC control	Auto control panel supplied with hand-held remote controller (optional radio controller available). Control installation available in motor control centre or in outdoor weather proof enclosure.
Power supply	240/480/575V, 3 phase, 60 HZ
Side-travel speed	0 - 1.25 ft./sec.
Parts	Standard production items, hi-interchangeability of parts
Hydraulic system	Maximum 2,250 PSI
Inward brush pressure	Variable

## Stop Log Lifter

	<b>Model LP2040</b>
Log size	To suit
Rail centers	To suit
Sluice depth	30 feet
Boom system	Double telescopic
Power supply	240/480/575V, 3 phase, 60 HZ Gas, Propane or Diesel Engines
Control station	Center console
Side-travel speed	Variable to 50 ft./min.
Breakaway force	10,000 lbs. per boom minimum, or to suit
Compaction force	20,000 lbs. per boom minimum, or to suit
Iron style	Hook or spud
Log contact indication	Compactor plate mounted
Hydraulic system	2,800 PSI



**Atlas Polar**  
IT'S ALL ABOUT QUALITY™

Atlas Polar Company Limited 60 Northline Road Toronto ON M4B 3E5

Toll Free: 1 888 799-4422 Local: (416) 751-7740 Fax: (416) 751-2094 E-mail: mfg@atlaspol.com Web: www.atlaspol.com